

1/18 SCALE 4WD READY-TO-RUN ELECTRIC POWERED CRAWLER

OUTBACK XP MINI EVO



**INSTRUCTION BOOK AND
COMPONENT LISTING**

www.fx-rc.com





FTX OUTBACK MINI XP EVO 1/18TH SCALE 4WD RTR ELECTRIC POWERED OFF ROAD TRAIL VEHICLE

Congratulations on your purchase of the FTX Outback Mini XP EVO electric trail vehicle.



This 1/18th scale model has been factory assembled and all electrics installed and set up to make it the easiest possible introduction to the sport of driving RC cars.

WARNING: Read the ENTIRE instruction manual to become familiar with the features of the product before operating.

Failure to operate the product correctly can result in damage to the product, personal property and cause serious injury.

This is NOT a toy and must be operated with caution and common sense.

Failure to operate this product in a safe and responsible manner could result in damage, injury or damage to other property.

This product is not intended for use by children without direct adult supervision. It is essential to read and follow all the instructions and warnings in the manual, prior to assembly, set-up or use, in order to operate correctly and avoid damage or serious injury.



Safety Precautions and Warnings

- You are responsible for operating this model such that it does not endanger yourself and others, or result in damage to the product or the property of others.
- This model is controlled by a radio which is possibly subject to interference which can cause momentary loss of control so it is advisable to always keep a safe distance to avoid collisions or injury.
- Age Recommendation: 14 years or over. This is not a toy. This product is not intended for use by children without direct adult supervision.

Carefully follow these directions and warnings, plus those of any additional equipment associated with the use of this model, chargers, ESC and motors, radio etc.

- Never operate your model with low transmitter batteries.
- Always operate your model in an open area away from cars, traffic or people.
- Never operate the model in the street or in populated areas.
- Always keep the vehicle in direct line of sight, you cannot control what you cannot see!
- Keep all chemicals, small parts and anything electrical out of the reach of children.
- Although splash-proof the car and electronics are not designed to be subjected to extended moisture exposure or submersion. To do so will result in permanent damage.
- Avoid injury from high speed rotating parts, gears and axles etc.
- Novices should seek advice from more experienced people to operate the model correctly and meet its performance potential.
- Exercise caution when using tools and sharp instruments.
- Do not put fingers or any objects inside rotating and moving parts.
- Take care when carrying out repairs or maintenance as some parts may be sharp.
- Do NOT touch equipment such as the motor, electronic speed control and battery, immediately after using your model because they can generate high temperatures.
- Always turn on your transmitter before you turn on the receiver in the car. Always turn off the receiver before turning your transmitter off.
- Keep the wheels of the model off the ground, and keep your hands away from the wheels when checking the operation of the radio equipment.
- Prolong motor life by preventing overheat conditions. Undue motor wear can result from frequent turns, rapid change of direction forwards/backwards, continuous stop/starts, pushing/pulling objects, driving in deep sand and tall grass, or driving continuously up hill.

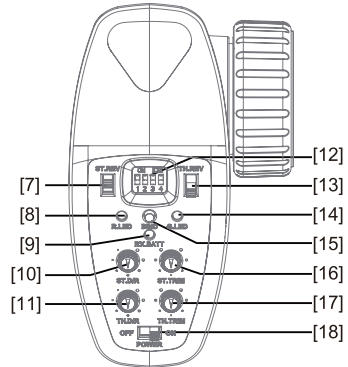
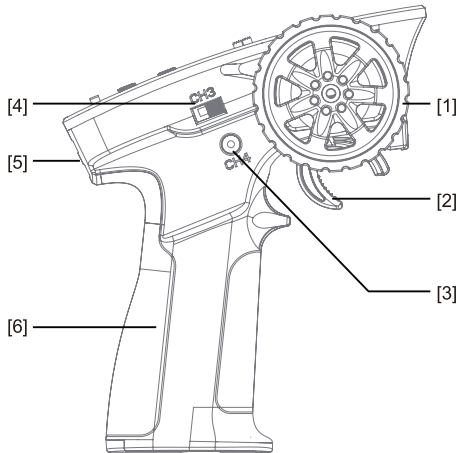
Contents:

FTX Outback Mini XP Evo RTR Vehicle
Transmitter: 2.4ghz Steerwheel
Charger: USB 150mA
Battery: 7.4V 600mAh 2S LiPo



FAMILIARIZING YOURSELF WITH YOUR 2.4GHZ RADIO SYSTEM

Your car is equipped with a 2.4Ghz radio system that once bound with the ESC will provide you interference free use. Please read and understand the instructions and functions before operating.



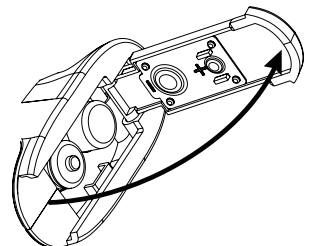
[1] Wheel Angle, the maximum rotation of the steering wheel is 35 degrees from center to left or right (CH1)	[10] Steering D/R (ST.D/R)
[2] Throttle trigger, has a total throw of 12 degrees, 12.5 degrees forward, and 12.5 degrees backward (CH2)	[11] Throttle D/R (TH.D/R)
[3] Button (CH4)	[12] Dial Switch (Switching the working mode of the electric dispatching)
[4] Three-position switch (CH3)	[13] Throttle Reverse Switch (TH.REV)
[5] Lanyard Eye	[14] Status indicator green LED (G.LED)
[6] Handle, 4 * AAA battery compartment	[15] Bind Button (BIND)
[7] Steering Reverse Switch (ST.REV)	[16] Steering Trim (ST.TRIM)
[8] Power indicator LED (R. LED)	[17] Throttle Trim (TH.TRIM)
[9] Two color LED battery volume (RX.BATT)	[18] Power Switch

BATTERY INSTALLATION

1. Open the battery cover as shown and install 4 x AAA size batteries, positioning the polarity as indicated on the battery box and make sure the batteries make good contact to the contacts therein.
2. Close cover after batteries are installed.

Notes:

- Low battery alarm: When the battery is lower than 4.2V the G.LED on the panel will flash slowly.
- When installing the battery, please pay attention to the positive and negative poles of the battery to avoid installation errors. (As shown on the right).





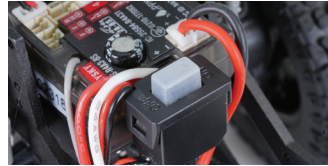
RUNNING YOUR CAR

1. TURN ON THE RADIO CONTROLLER



Switch on the power on the radio controller. Your car is bound with your radio controller automatically. When active the R.LED will be lit.

2. TURN ON THE RECEIVER ON YOUR CAR



The ESC/receiver switch is located under the bodysell of the model. Switch on the ESC/receiver switch shown here.

3. CHECK THE STEERING PERFORMANCE

Ensure good steering movement.

CENTRE

TURN LEFT

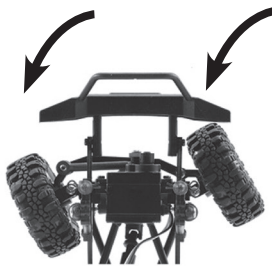
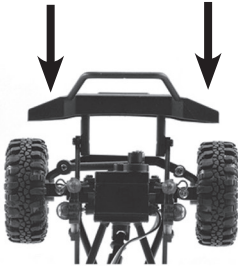
TURN RIGHT



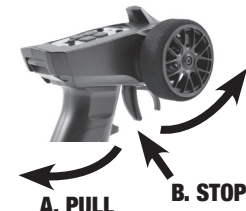
1. To keep the car running in a straight line, keep the wheel in the centre position.

2. Turn the wheel to the left to turn your car left.

3. Turn the wheel to the right to turn your car to the right.



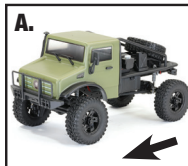
4. CHECK THROTTLE TRIGGER RESPONSE



A. PULL TRIGGER BACK

B. STOP

C. PUSH TRIGGER FORWARD



A. Pull the trigger back to accelerate, release it to decelerate.

B. To stop running your car, release the trigger to neutral.

C. Pushing the trigger forward activates reverse.

PLEASE NOTE: THE MODEL SWITCHES BETWEEN FORWARD AND REVERSE INSTANTLY. FOR SLOW SPEED MANOEUVRABILITY EXCESSIVE USE OF THIS FEATURE CAN CAUSE TRANSMISSION AND ESC DAMAGE.



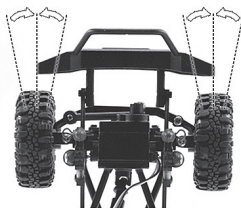
RUNNING YOUR CAR

5. TO TUNE THE STEERING TRIM



STEERING TRIM DIAL

Gently pull the trigger to allow your car to run slowly. Meantime, tune the steering trim to allow the front wheels to be aligned by rotating the dial.

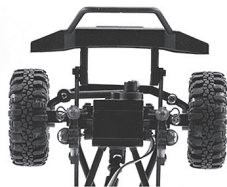


6. TO TUNE THE THROTTLE TRIM



THROTTLE TRIM DIAL

Throttle Trim is used to set the idle speed of the car, by rotating the dial.



7. TO TUNE THE STEERING DUAL RATE CONTROL DIAL

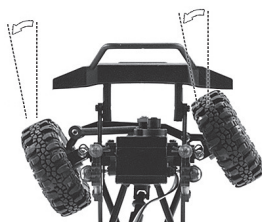


STEERING D/R DIAL

The D/R controls the amount of servo travel. You should adjust this to give maximum steering without any extra strain on the servo. Set it to minimum first and then slowly adjust until full steering is achieved.

THROTTLE D/R

With this dial you can adjust the the maximum power output from your speed control.



8. STEERING/THROTTLE REVERSE

STEERING REVERSE:

To reverse the direction of servo travel for steering (CH1).

THROTTLE REVERSE:

Allows you to electronically switch the direction that the motor operates in relation to the throttle trigger. For example, if you pull the throttle trigger to accelerate forward but the model goes in reverse, flip the Throttle Reverse switch to make the model accelerate forward.





BINDING THE TRANSMITTER AND RECEIVER

Your FTX transmitter will come ready bound to the vehicle directly from the factory. However should you need to rebind the radio to the vehicle please follow these simple instructions:

1. While pressing and holding the BIND button, power on the transmitter. The transmitter will now enter binding mode, G.LED will flash rapidly and the BIND button can then be released.
2. Power on the receiver. After 1 second the receiver will automatically enter binding mode. Once in binding mode, the receiver's LED will flash rapidly.
3. Binding will then automatically occur within 1-2 seconds. If successful, the LED on the receiver will remain solid, G.LED on the transmitter will turn off and the model can then be operated as normal.

Note: Always enter the transmitter into binding mode first, followed by the receiver. If the binding procedure is not finished within 10 seconds, or if the binding process is unsuccessful, the receiver will exit binding mode and its LED will then flash slowly. If required, the binding process can then be completed again as above.

Stick Calibration – Change to Transmitter Calibration:

This function is used to set the neutral position for both the steering wheel and throttle trigger. The model's transmitter is calibrated before delivery, however if recalibration is required, please follow these steps:

1. Enter Calibration Mode: Rotate and hold the steering wheel to its maximum clockwise position, push and hold the throttle trigger to its forwardmost position, power on the transmitter. R.LED and G.LED will repeatedly flash twice to confirm that the transmitter is now in calibration mode, return the steering wheel and throttle trigger to their neutral positions.
2. Calibrate Wheel: Rotate the steering wheel clockwise to its maximum position, then, rotate the steering wheel anti-clockwise to its maximum position. Return the steering wheel to its neutral position. R.LED will turn off, confirming that steering wheel calibration has been completed.
3. Calibrate Trigger: Pull the throttle trigger backwards to its maximum position, then, push the throttle trigger forwards to its maximum position. Return the throttle trigger to its neutral position. G.LED will turn off, confirming that throttle trigger calibration has been completed.
4. Once the steering wheel and throttle trigger calibration procedures have been completed, press the transmitter's BIND button to save these settings and exit calibration mode.



Car Light Control:

The model's receiver is pre-set with 5 different lighting profiles. The 'CH4' button of the transmitter can be used to cycle through these lighting profiles as detailed below:

Default Mode: In this mode, the turn signal lights remain in an off state regardless of whether the model is turning left or right. When braking, the rear stop lights are in a high-light state but otherwise remain in an off state. The front headlights remain in an off state.

Mode A: In this mode, the turn signal lights flash slowly when the model is making a corresponding turn. The rear stop lights are in a low-light state, changing to a high-light state when braking. The front headlights are in a low-light state.

Mode B: In this mode, the left or right turn signal lights flash slowly when the model is making a corresponding turn. The stop lights are in a low-light state, changing to a high-light state when braking. The front headlights are in a high-light state.

Mode C: In this mode, all turn signal lights flash slowly in unison, regardless of whether the model is making a turn or not. The rear stop lights are in a low-light state, changing to a high-light state when braking. The front headlights are in a high-light state.

Mode D: In this mode, the left or right turn signal lights flash slowly when the model is making a corresponding turn. When braking, the rear stop lights are in a high-light state but otherwise remain in an off state. The front headlights are in an off state.

Notes:

1. Each time the model is powered on, the lighting profile automatically reverts to 'Default Mode'.
2. The model's receiver automatically identifies the neutral positions of CH1 (Steering) and CH2 (Throttle) each time the model is powered on. It is recommended that both the model and transmitter are powered off, before powering them back on each time the transmitter's trims are adjusted. Failure to do so could result in abnormal light control.

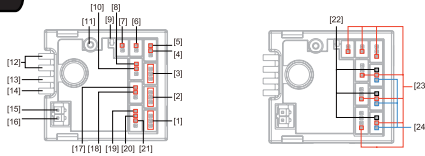


SPEED CONTROL/RECEIVER UNIT

Specifications

- Product Name: FS-R4A3-BS
- Adaptive Transmitters: FS-MG43-BS
- Adaptive Models : 1:18 simulation cars, climbing cars
- Number of Channels: 4
- Number of Lights: 7
- RF: 2.4GHz ISM
- 2.4G Protocol: 2A-BS
- Antenna: Single antenna
- Input Power: NiMH (5~7Cell)/ 2S Lithium batteries
- Continuous/Peak Current: 10A/50A
- Data Output: PWM
- Temperature Range: -10°C ~ +60°C
- Humidity Limit: 20%~95%
- Waterproof: PPX4
- Distance: >150m(Ground distance without inference)
- Online Update: NO
- Dimensions: 33mm*30mm*12mm (Excluding capacitor)
- Weight: 11g
- BEC Output: 6V/1A
- Certification: CE, FCC ID: N4ZR4A31

Overview



- | | | |
|---------------------------------------|---------------------------|--|
| [1] CH1 | [9] LED | [17] Left turn signal light interface |
| [2] CH3 | [10] Headlight interface | [18] Right turn signal light interface |
| [3] CH4 | [11] Antenna | [19] Tail light interface |
| [4] Headlight interface | [12] Power switch | [20] Stop light interface |
| [5] Right turn signal light interface | [13] Battery line anode | [21] Backup light interface |
| [6] Fog light interface | [14] Battery line cathode | [22] Channel signal end |
| [7] Fog light interface | [15] Motor interface "M+" | [23] Power anode |
| [8] Left turn signal light interface | [16] Motor interface "M-" | [24] Power cathode |

Power Off:

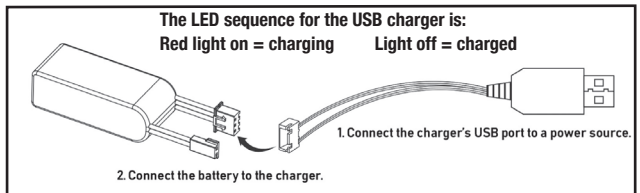
After use, to power off the model and transmitter please follow the steps below:

1. Toggle the model's power switch to its 'OFF' position. Disconnect the model's battery from the model's receiver.
2. Toggle the transmitter's power switch to the 'OFF' position.

Note: Always power off the model and disconnect its battery BEFORE turning off the transmitter. Failure to do so may lead to damage or serious injury.

Charging the battery:

1. Connect charger to a USB port and the LED will blink red slowly. Connect to battery.
2. When charging the LED status will be solid red. Once charged the LED light will turn off.
3. NEVER leave the battery unattended whilst charging.
4. If the battery or charger become hot during the charging process, disconnect both the battery and charger immediately as this may have been caused due to an internal short-circuit.



Notes on Battery use:

- Always allow the battery cool after use, before recharging.
- Always inspect the battery before charging.
- Any bare wires, split heat shrink or leakage is a sure sign of abuse.
- Never attempt to charge dead or damaged batteries.
- Do not disassemble the battery or cut the connector wires.
- If the battery connector gets hot enough to melt there is most likely a serious problem with your model, driveline, battery wires or speed controller. Find and correct the problem before installing another charged battery pack.
- NEVER charge the battery unattended in case of overcharging, you need to be able to monitor the battery during charging
- Charge away from flammable objects and on a non-flammable surface in case the battery becomes too hot.



MAINTAINING YOUR CAR

After running your car, the following procedures should be performed regularly and will help to maintain your car's performance.

- Inspect your car for any obvious damage.
- Check the gears for wear, debris or broken/slipping teeth.
- Check the wheels and tighten the wheel screws properly.
- Check for loose screws in the chassis.
- Check the wiring for frayed or damaged wires or connectors.
- Check the steering servo which will wear out over time and require replacement.
- Check all batteries.
- Keep the chassis clean and free of sand, dust and moisture.
- Remove and clean the motor if necessary. (Never attempt to re-assemble the motor, you will damage it and void the warranty).
- Clean the car body with a soft lint-free cloth.
- Remove all batteries when not in use.

TROUBLESHOOTING

SYMPTOM

POSSIBLE CAUSE

A. The vehicle does not work at all.

1. Check to see if transmitter and car are on.
2. Replace batteries.
3. Check if there are damaged parts.

B. The vehicle runs slow.

1. Replace or charge the battery pack and/or the radio batteries.
2. Make sure the vehicle is geared properly and the pinion and spur gear are over tightened.
3. Clean all bushings or ball bearings.
4. Check for stripped or dirty gears.

C. The throttle works, but not the steering.

1. Check if the servo feels jammed – try centering it by hand.
2. Check the whole steering system.

D. It steers, but throttle is uncontrollable.

1. Check if there are damaged parts.
2. Replace or charge the battery pack and/or the radio batteries

E. The vehicle runs noisily.

1. Check gear mesh between spur gear and pinion.
2. Check for stripped and/or dirty gears.
3. Clean and oil bushings or ball bearings.



Le FTX Outback Mini XP FTX Outback Mini XP Evo, une voiture de trail 4x4 électrique à l'échelle 1/18ème prête à rouler



Félicitation pour l'achat de l'FTX Outback Mini XP RockVan et Unitrak.

Ce modèle à l'échelle 1/18ème a été monté en usine, toute son électronique est déjà installée et réglée afin de faciliter votre introduction au monde de la RC.

Avertissement : Lisez entièrement la notice afin de vous familiariser avec les fonctionnalités de ce produit avant de vous en servir.

Une mauvaise manipulation de ce produit pourrait l'endommager, endommager d'autres produits et même vous blesser. Ce n'est PAS un jouet et il doit être utilisé avec précaution et bon sens.

Si vous n'utilisez pas ce produit en toute sécurité et de manière responsable, peut entraîner des dégâts, des blessures et impacter d'autres personnes. Ce produit n'est donc pas destiné à être utilisé par des enfants sans la surveillance directe d'un adulte. Il est important que vous lisiez et suiviez les instructions avant de monter, régler ou utiliser le produit afin de vous en servir correctement et éviter tout problème.



Mesures de sécurités et Avertissements

- Lorsque vous piloter la voiture, vous en êtes responsable, vous devez donc vous assurer de ne pas vous mettre en danger ou de mettre en danger les autres. De même que d'abimer tout produit que ce soit le votre ou ceux d'autres personnes.
- Cette voiture est contrôlée par une télécommande qui peut possiblement être sujet à des interférences qui peuvent entraîner des pertes de contrôle momentanée. C'est pourquoi vous devez garder des distances de sécurités pour éviter toute collision ou blessure.
- Age recommandé : 14 ans et plus. Ce n'est pas un jouet. Ce produit n'est pas destiné à être utilisé par un enfant sans la surveillance direct d'un adulte.

Suivez avec précautions ces instructions et ces avertissements, mais aussi les instructions des autres produits utilisés avec cette voiture (le chargeur, le contrôleur de vitesse, le moteur, la radio, etc...)

- Ne faites jamais rouler votre voiture lorsque les piles de la télécommande sont faibles.
- Faites rouler votre voiture dans un large espace loin des voitures, du trafic et de la population
- Ne roulez jamais dans la rue ou dans des endroits peuplés.
- Gardez toujours la voiture à vue, vous ne pouvez pas contrôler ce que vous ne voyez pas !
- Gardez tous produits chimiques, petites pièces et systèmes électrique hors de la portée des enfants
- Bien que la voiture et l'électronique soient résistants aux éclaboussures, ils ne sont pas prévus pour être sujet à des expositions prolongées à l'humidité ou être immergés. En effet, des dégâts permanent pourraient survenir.
- Evitez toute blessure avec les pièces qui tournent à haute vitesse, les pignons et les outils coupant.
- Les débutants devraient demander de l'aide à des personnes expérimentés afin de manipuler et piloter correctement la voiture et ainsi exploiter toute ses capacités.
- Soyez précautionneux lorsque vous utilisez des outils notamment ceux qui peuvent couper.
- Ne mettez pas vos doigts ou tout autre objet dans les pièces en rotation ou en mouvement.
- Soyez prudent lorsque vous effectuez des maintenances ou des réparations, en effet certaines pièces pourraient être coupante.
- Ne touchez PAS les composants comme le moteur, le contrôleur de vitesse ou la batterie immédiatement après avoir roulé car ils pourraient être à des températures élevés.
- Allumez toujours la télécommande avant d'allumer votre voiture. Et inversement, éteignez toujours votre voiture avant d'éteindre votre télécommande.
- Lorsque vous testez votre système radio, surélevez votre voiture afin que ses roues soient en l'air et gardez vos mains éloignées des roues.
- Prolongez la durée de vie de votre moteur en évitant toute surchauffe. Une usure moteur anormale peut intervenir si vous tournez fréquemment, changez rapidement de sens de direction (marche avant / arrière), effectuez des départs / arrêts continuellement, en poussant / tirant des objets, en pilotant dans du sable profond, de l'herbe haute ou en pilotant constamment en côte.

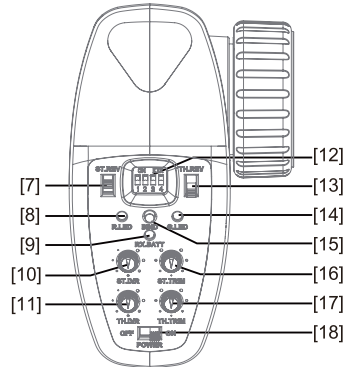
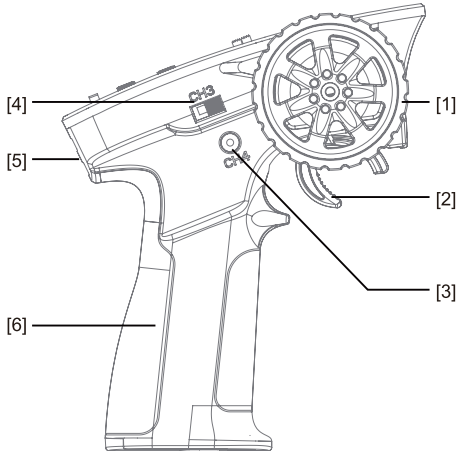
Contents:

FTX Outback Mini XP FTX Outback Mini XP Evo
Transmitter: 2.4ghz Steerwheel
Charger: USB 150mA
Battery: 7.4V 600MAH 2S LiPo



FAMILIARISEZ-VOUS AVEC LA TÉLÉCOMMANDE 2.4GHZ

Votre voiture est équipée d'un système radio 2.4Ghz, qui une fois connecté au contrôleur de vitesse va vous assurer un fonctionnement sans aucune interférence. Lisez attentivement le manuel d'instruction pour comprendre son fonctionnement avant de l'utiliser



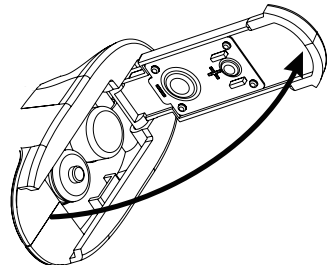
[1] Wheel Angle, the maximum rotation of the steering wheel is 35 degrees from center to left or right (CH1)	[10] Steering D/R (ST.D/R)
[2] Throttle trigger, has a total throw of 12 degrees, 12.5 degrees forward, and 12.5 degrees backward (CH2)	[11] Throttle D/R (TH.D/R)
[3] Button (CH4)	[12] Dial Switch (Switching the working mode of the electric dispatching)
[4] Three-position switch (CH3)	[13] Throttle Reverse Switch (TH.REV)
[5] Lanyard Eye	[14] Status indicator green LED (G.LED)
[6] Handle, 4 * AAA battery compartment	[15] Bind Button (BIND)
[7] Steering Reverse Switch (ST.REV)	[16] Steering Trim (ST.TRIM)
[8] Power indicator LED (R. LED)	[17] Throttle Trim (TH.TRIM)
[9] Two color LED battery volume (RX.BATT)	[18] Power Switch

INSTALLATION DES PILES

- Ouvrir le couvercle de la batterie comme montré et insérez-y 4 piles AAA, respecter les polarités indiquée sur le couvercle et assurer vous que les contacts soient correctes.
- Refermer le couvercle une fois les piles insérées

Notes:

- Alarme de faible batterie : Lorsque la batterie est en dessous de 4.2V, la LED verte d'indication du statut va clignoter lentement
- Lors vous installez les piles, faites bien attention aux polarités positives et négative afin d'éviter les erreurs



FAITES ROULER VOTRE VOITURE

1. ALLUMEZ VOTRE TÉLÉCOMMANDE



Allumez votre télécommande grâce à l'interrupteur. Votre car est de base reliée au récepteur.

2. ALLUMEZ LE RÉCEPTEUR DE VOTRE VOITURE



Allumez votre récepteur grâce à l'interrupteur du récepteur/ contrôleur de vitesse situé sous la carrosserie. Comme montré sur la photo.

3. VÉRIFICATION DE LA DIRECTION

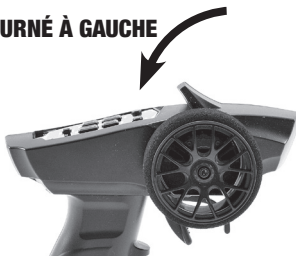
Ensure good steering movement.

CENTRÉ



1. Afin de faire rouler droit votre voiture, laissez le volant de direction centré

TOURNÉ À GAUCHE

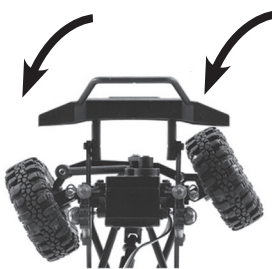
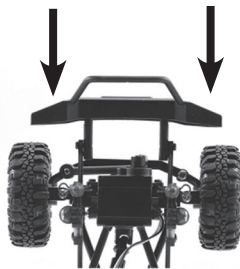


2. Tournez le volant à gauche afin de faire tourner à gauche votre voiture

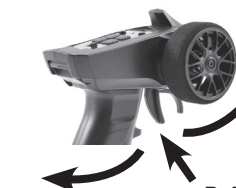
TOURNÉ À DROITE



3. Tournez le volant à droite afin de faire tourner à droite votre voiture



4. VÉRIFICATION DES GAZ



A. TIREZ LA GÂCHETTE VERS L'ARRIÈRE

B. ARRÊT

C. PUSSEZ LA GÂCHETTE VERS L'AVANT



A. Tirez la gâchette vers l'arrière afin d'accélérer, relâcher la pour ralentir
 B. Pour arrêter votre voiture, laissez la gâchette en position neutre
 C. Poussez la gâchette vers l'avant afin d'activer la marche arrière



VEUILLEZ NOTER : QUE LA VOITURE PASSE DIRECTEMENT DE MARCHÉ AVANT À MARCHÉ ARRIÈRE. AFIN DE MANŒUVRER À FAIBLE VITESSE, UNE UTILISATION EXCESSIVE DE CETTE FONCTIONNALITÉ PEUT ABÏMER LA TRANSMISSION ET LE CONTRÔLEUR DE VITESSE.

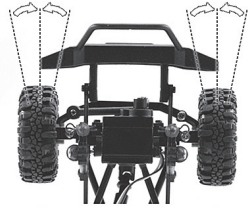


FAITES ROULER VOTRE VOITURE

5. RÉGLAGE DES TRIMS DE DIRECTION



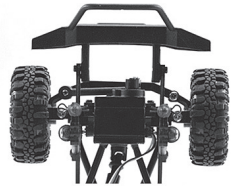
TRIMS DE LA DIRECTION
Placer la voiture sur le stand avec les roues qui ne touchent pas le sol, puis régler le Trim de direction pour aligner les roues avant.



6. RÉGLAGE DES TRIMS DES GAZ



TRIMS DES GAZ
Trim des gaz est utilisé pour régler la vitesse de ralenti.

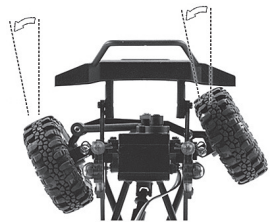


7. RÉGLAGE DU DUAL RATE DE LA DIRECTION



D/R DE LA DIRECTION
Ce réglage ajuste la course du servo de direction.
Pousser le bouton en avant pour un maximum de directivité. Tirer en arrière pour réduire la course du servo.

Note: Toujours minimiser et augmenter ensuite pendant que votre voiture.



8. STEERING/THROTTLE REVERSE

DIRECTION REVERSE:

Cela permet électroniquement d'inverser le sens de rotation du servo.
Par exemple si vous si vous tournez le volant à droite.

GAZ REVERSE:

Cela vous permet de changer électroniquement la direction dans laquelle le moteur opère en relation avec la gâchette des Gaz. Par exemple, si vous poussez la gâchette pour accélérer en avant, mais le moteur va en arrière, inverser le Gaz Reverse permettra au modèle d'accélérer en avant.





CONNECTER LA TÉLÉCOMMANDE ET LE RÉCEPTEUR

Votre télécommande FTX arrive déjà connectée au récepteur de la voiture. Cependant, dans le cas où vous auriez besoin de réassocier la télécommande et le récepteur de la voiture, suivez les étapes suivantes

Votre télécommande FTX arrive déjà connectée au récepteur de la voiture. Cependant, dans le cas où vous auriez besoin de réassocier la télécommande et le récepteur de la voiture, suivez les étapes suivantes

1. En restant appuyé sur le bouton BIND, allumer la télécommande. La télécommande est maintenant en mode d'association, la G.LED clignote alors rapidement et le bouton BIND peut être relâché
2. Allumer le récepteur de la voiture. Après 1 sec le récepteur va rentrer automatiquement en mode d'association. Une fois dans le mode, la LED clignote rapidement
3. L'association va automatiquement se faire en 1 à 2 secondes. Si l'étape se déroule correctement, la LED sur le récepteur va rester allumer, et la G.LED de la télécommande va s'éteindre. Vous pouvez alors utiliser normalement la voiture.

Note : Assurez-vous de toujours mettre la télécommande en premier dans le mode d'association, puis la télécommande. Si la procédure n'est pas terminée au bout de 10 secondes, ou si l'association ne se réalise pas, le récepteur va quitter le mode d'association et sa LED va clignoter lentement. Si besoin, répéter les étapes ci-dessus.

Calibration de la télécommande :

Cette fonction est utilisée afin de régler le neutre du volant de direction et de la gâchette des gaz. La télécommande est réglée en usine, mais si besoin de la calibrer de nouveau, veuillez suivre les étapes suivantes :

1. Entrer dans le mode de calibration : Tournez le volant de direction dans le sens des aiguilles d'une montre à fond et gardez-le dans cette position. Poussez la gâchette des gaz vers l'avant au maximum et gardez-la dans cette position. Puis allumer la télécommande. La R.LED et la G.LED vont clignoter par intermittence 2 fois pour confirmer que la télécommande est maintenant en mode de calibration. Vous pouvez alors relâcher le volant et la gâchette.
2. Calibration du volant : Tournez le volant de direction dans le sens des aiguilles d'une montre à fond puis tournez-le à fond dans le sens inverse des aiguilles d'une montre. Laissez de nouveau le volant au neutre. La R.LED va s'éteindre, et confirmer que la calibration du volant est terminée
3. Calibration de la gâchette : Tirez la gâchette des gaz à fond puis poussez la gâchette à fond. Laissez de nouveau la gâchette au neutre. La R.LED va s'éteindre, et confirmer que la calibration de la gâchette est terminée
4. Une fois le volant de direction et la gâchette des gaz calibrés, appuyez sur le bouton BIND de la télécommande pour sauvegarder les réglages et sortir du mode de calibration



Contrôle des lumières de la voiture :

Le récepteur de la voiture est pré-réglé avec 5 modes d'éclairages différents. Le bouton CH4 de la télécommande peut être utilisé pour passer d'un mode à l'autre. Plus d'informations ci-dessous :

Mode par défaut : Dans ce mode, le clignotant reste éteint quel que soit la position du volant. Lorsque vous freinez, les feux stops s'allument. Les feux avant sont en veilleuse

Mode A : Dans ce mode, le clignotant clignote lentement en accord avec la position du volant. Les feux arrière sont en veilleuse, et lorsque vous freinez, les feux stops s'allument. Les feux avant sont en veilleuse

Mode B : Dans ce mode, le clignotant clignote lentement en accord avec la position du volant. Les feux arrière sont en veilleuse, et lorsque vous freinez, les feux stops s'allument. Les feux avant sont en plein phare

Mode C : Dans ce mode, les clignotants clignotent lentement en permanence, quel que soit la position du volant. Les feux arrière sont en veilleuse, et lorsque vous freinez, les feux stops s'allument. Les feux avant sont en plein phare

Mode D : Dans ce mode, le clignotant clignote lentement en accord avec la position du volant. Lorsque vous freinez, les feux stops s'allument. Les feux avant sont éteints.

Notes :

1. Chaque fois que vous allumez la voiture, le mode revient à celui par défaut
2. La fonctionnalité de contrôle des lumières de la voiture identifie automatiquement les positions du neutre de la direction et des gaz chaque fois que vous l'allumez. Dès que vous modifiez les trims sur la télécommande, il est alors recommandé d'éteindre la voiture et la télécommande puis de les rallumer. Si vous ne le faites pas, il est possible que les modes ne soient pas correctement ajustés



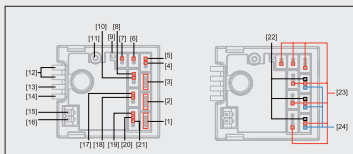
RÉCEPTEUR / CONTRÔLEUR DE VITESSE

CARACTÉRISTIQUES

- Nom du produit : FS-R4A3-BS
- Fonctionne avec la télécommande : FS-MG42-BS
- Voitures adaptées : 1/18 voiture, crawler
- Nombre de voies : 4
- Nombre de LED : 7
- Fréquence radio : 2.4Ghz
- Protocole 2.4Ghz : 2A - BS
- Antenne : Une antenne
- Puissance d'alimentation : NiMH (5 à 7 éléments) / Lithium 2S
- Courant continu / pic : 10A / 50A
- Format de donnée : PWM
- Température de fonctionnement : -10°C à +60°C
- Limit d'humidité : 20% à 95%
- Waterproof : PPX4
- Portée : > 150 (distance au sol sans interférence)
- Mise à jour : non
- Dimensions : 33mm * 30mm * 12mm (sans le condensateur)
- Poids : 11g
- Alimentation de sortie (BEC) : 6V / 1A
- Certification : CE, FCC ID : N4ZR4A31

APERÇU DES ÉLÉMENTS :

1. Voie 1 (CH1)
2. Voie 3
3. Voie 4
4. Interface du système d'éclairage
5. Connexion du clignotant droit
6. Connexion du feu antibrouillard
7. Connexion du feu antibrouillard
8. Connexion du clignotant gauche
9. LED
10. Interface du système d'éclairage
11. Antenne
12. Interrupteur d'alimentation
13. Pin de l'anode de la batterie
14. Pin de la cathode de la batterie
15. Connexion positive du moteur M+



16. Connexion négative du moteur M-
17. Connexion du clignotant gauche
18. Connexion du clignotant droit
19. Connexion du feu arrière
20. Connexion du feu stop
21. Connexion de backup
22. Sortie du signal
23. Connexion positive
24. Connexion négative

ETEINDRE LE RÉCEPTEUR:

Après son utilisation, afin d'éteindre la voiture et la télécommande, veuillez suivre la procédure ci-dessous

1. Eteignez le récepteur avec l'interrupteur positionné dessus. Puis débrayez la batterie
2. Eteignez la télécommande avec l'interrupteur positionné dessus.

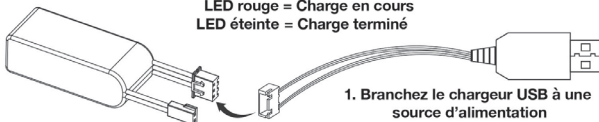
Note : Eteignez toujours la voiture et débranchez sa batterie avant d'éteindre la télécommande. Ne pas suivre cette procédure peut causer des dégâts ou causer des blessures

CHARGER LA BATTERIE :

1. Branchez le chargeur à un port USB. La LED clignotera lentement en rouge. Connectez la batterie au chargeur. Lors de la charge, la LED d'indication sera rouge. Puis verte lorsque la charge est terminée
2. Pendant la charge, l'état de la LED sera rouge fixe. Une fois chargé, le voyant LED s'éteint.
3. **NE LAISSEZ JAMAIS CHARGER LA BATTERIE SANS SURVEILLANCE**
4. Si le chargeur ou la batterie deviennent chauds lors de la charge, déconnectez immédiatement la batterie et le chargeur pour éviter tout court-circuit

La couleur de la LED sur le chargeur USB permet de déterminer le statut de charge :

LED rouge = Charge en cours
LED éteinte = Charge terminée



2. Branchez la batterie sur le chargeur



NOTE SUR L'USAGE DE LA BATTERIE :

- Laissez toujours la batterie refroidir après son usage avant de la charger
- Vérifiez toujours la batterie avant de la charger
- Tout câble dénudé ou fuite de la batterie est un signe de mauvaise utilisation
- N'essayez jamais de charger une batterie qui est morte ou abîmée
- Ne démontez jamais la batterie et ne coupez jamais de câble
- Si la prise devient assez chaude pour fondre, ce qu'il y a un gros souci sur votre voiture, la transmission, les câbles de la batterie ou le contrôleur de vitesse. Trouvez et résolvez le problème avant d'utiliser de nouveau la voiture
- Ne chargez jamais une batterie sans surveillance, notamment pour éviter toute surcharge, vous devez pouvoir identifier lorsque la charge est terminée
- Chargez la batterie loin de tout matériau inflammable, sur une surface non inflammable dans le cas où la batterie venait à chauffer



MAINTENANCE DE VOTRE VOITURE

Après avoir roulé avec votre voiture, vous devriez régulièrement effectuer les procédures ci-dessous afin de maintenir les performances de votre voiture.

- Inspectez votre voiture afin de vérifier que rien de visible ne soit endommagé
- Vérifiez l'usure des pignons, leur propreté et regardez si aucune dent n'est cassée
- Vérifiez les roues, notamment leur serrage
- Vérifiez que aucune vis ne soit dévissée sur le châssis
- Vérifiez qu'aucun câble ne soit dénudé, abimé. De même pour les prises.
- Vérifiez le servo de direction, qui avec le temps va s'abîmer et va devoir être remplacé
- Vérifiez toutes vos batteries
- Gardez votre voiture propre, sans sable, terre ou humidité
- Enlevez et nettoyez votre moteur si nécessaire. (N'essayez pas de le démonter : vous allez l'abîmer et supprimer la garantie)
- Nettoyez la carrosserie avec un chiffon microfibre
- Enlevez toutes les batteries lorsque vous ne vous en servez pas

PROBLÈMES ET RÉOLUTIONS

SYMPTÔME

PROBLÈME POSSIBLE

A. La voiture ne marche pas.	<ol style="list-style-type: none">1. Vérifiez que la télécommande et la voiture soient allumés.2. Changez les piles / batterie.3. Vérifiez qu'aucune pièce ne soit abimé.
B. La voiture avance lentement.	<ol style="list-style-type: none">1. Changer ou charger la batterie et ou les piles de la télécommande.2. Vérifiez que le rapport de transmission soit correct (pignon moteur et la couronne).3. Nettoyez toutes les bagues et les roulements à billes.4. Vérifiez qu'aucun pignon ne soit abimé ou sale.
C. Les gaz fonctionnent mais pas la direction.	<ol style="list-style-type: none">1. Vérifiez si le servo tourne librement, essayez de le centré.2. Vérifiez tout le système de direction.
D. La voiture tourne mais les gaz sont incontrôlables.	<ol style="list-style-type: none">1. Vérifiez que rien ne soit abimé.2. Changer ou charger la batterie et ou les piles de la télécommande.
E. La voiture fait du bruit en roulant.	<ol style="list-style-type: none">1. Vérifiez l'entre-dent entre le pignon et la couronne.2. Vérifiez qu'aucun pignon ne soit abimé ou sale.3. Nettoyez et huilez les bagues et les roulements à billes.














SPARE PARTS LIST


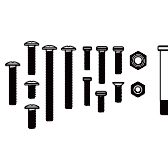
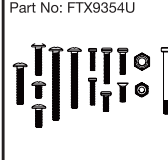
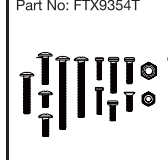


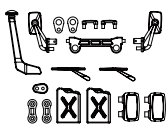


<p>1KG High Torque 3wire Servo Part No: FTX9368</p> 	<p>7.4V 600MAH Lipo Part No: FTX9371</p> 	<p>100T High Torque Motor Part No: FTX9345</p> 	<p>7.4V USB Charger Part No: FTX9372-1</p> 	<p>4Channel TX & ESC/RX Combo V3 Part No: FTX9397C</p> 
<p>Front/Rear axle Part No: FTX9416</p> 	<p>Main Drive Shaft Set & Rear Axle Hub Part No: FTX9361</p> 	<p>Complete Bushing Set Part No: FTX9350</p> 	<p>Portal Hub Part No: FTX9419</p> 	<p>Untrak Rollcage B Part No: FTX9440B</p> 
<p>Rear Axle Drive Shaft Part No: FTX9430</p> 	<p>Bead Lock Wheel Part No: FTX9418</p> 	<p>Mount & Link set Part No: FTX9414</p> 	<p>Transmission gear box set Part No: FTX9439</p> 	<p>Link Set Part No: FTX9438</p> 
<p>Untrak Battery Box & Bumper Set Part No: FTX9440C</p> 	<p>Untrak Rollcage A Part No: FTX9440A</p> 	<p>Untrak Body Parts Set Part No: FTX9440D</p> 	<p>Micro Body Clip (10pcs) Part No: FTX8873</p> 	<p>Ball Stud set Part No: FTX9351</p> 
<p>Front CVD Drive Shaft Part No: FTX9428</p> 	<p>Steel U-Joint Cross Ball Set Part No: FTX9326</p> 	<p>Untrak Shock Set (long grey) Part No: FTX9441</p> 	<p>Metal pinion and ring gear Part No: FTX9424</p> 	<p>Body & Bumper Post Set Part No: FTX9305</p> 
<p>Tracking A/T Tire (1.2) 4pcs Part No: FTX9422</p> 	<p>Tyre foam (1.2) 4pcs Part No: FTX9421</p> 	<p>Tracking A/T Tire Set (1.2) 4pcs Part No: FTX9423</p> 		



SPARE PARTS LIST

<p>Aluminum Main Chassis Set Part No:FTX9365</p> 	<p>Metal Portal Gear Part No: FTX9425</p> 	<p>1 x 4.5mm Pln Part No: FTX9431</p> 	<p>Portal axle Shaft Part No: FTX9429</p> 	<p>Spindle Hub bushing Part No: FTX9432</p> 
<p>LED Light Part No: FTX9385</p> 	<p>Untrak Clear Lexan Body Part No: FTX9443C</p> 	<p>Finished Unitrak Body Orange FTX9443O</p> 	<p>Steel U-Joint Drive Shaft Set for Mini XP (2pcs) Part No: FTX9373</p> 	<p>Finished Texan Body Maroon Red FTX9391MR</p> 
<p>Finished Unitrak Body Silver FTX9443S</p> 	<p>Untrak Rollcage Set Part No: FTX9440E</p> 	<p>Aluminum Upgrade Shocks Set Part No: FTX9325</p> 	<p>Clear Texan Body FTX9391C</p> 	<p>ROCK VAN BODY Grill and Bumper FTX9417</p> 
<p>Finished Unitrak Body Silver FTX9443S</p> 	<p>Finished Texan Body Matt Grey FTX9391MG</p> 	<p>Rock Van Light Kit Part No: FTX9436</p> 	<p>ROCK VAN CLEAR LEXAN BODY FTX9437C</p> 	<p>Finished Van Body Metal Grey FTX9437MG</p> 
<p>Rock Van Shock Set (Short) FTX9420</p> 	<p>INNER BRASS WHEEL RINGS (4) FTX9446</p> 	<p>Mini XP Evo Gearbox Part No: FTX9346</p> 	<p>Mini XP Evo Metal Transmission Gears Part No: FTX9347</p> 	<p>Mini XP Evo Gearbox Shafts Part No: FTX9348</p> 
<p>Inner Fender for Rock Van Part No: FTX9448</p> 	<p>Mini XP EvoLED Light Set Part No: FTX9385</p> 	<p>Mini XP Evo Complete Transmission Gearbox Set (Van/Texan) Part No: FTX9353</p> 	<p>Mini XP Evo Complete Transmission Gearbox Set (Unitrak) Part No: FTX9353U</p> 	<p>ROCK VAN OPTIONAL SPOT LIGHT SET FTX9444</p> 



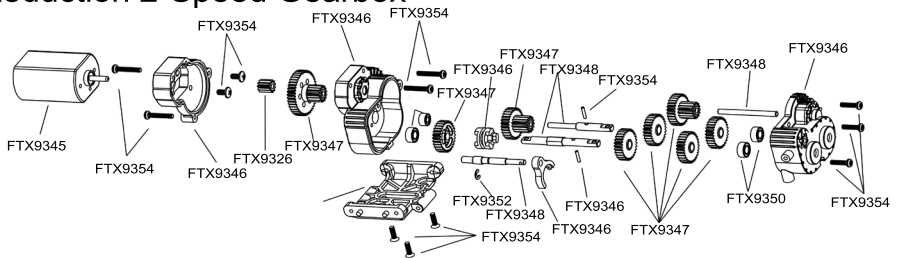
<p>Body & Bumper Post Set Part No: FTX9305</p> 	<p>Mini XP Evo Screw Set (Van) Part No: FTX9354V</p> 	<p>Mini XP Evo Screw Set (Unitrak) Part No: FTX9354U</p> 	<p>Mini XP Evo Screw Set (Texan) Part No: FTX9354T</p> 	<p>Mini XP Evo Shifter Hardware (Unitrak) Part No: FTX9352U</p> 
<p>Mini XP Evo Shifter Hardware Part No: FTX9352</p> 	<p>Mini XP Unitrak Body Parts Set Part No: FTX9440D</p> 	<p>Mini XP Van Body Hardware Part No: FTX9415</p> 	<p>Mini XP Texan Roll Bar, Light & Bumper Set Part No: FTX9390B</p> 	

OPTIONAL SPARE PARTS LIST

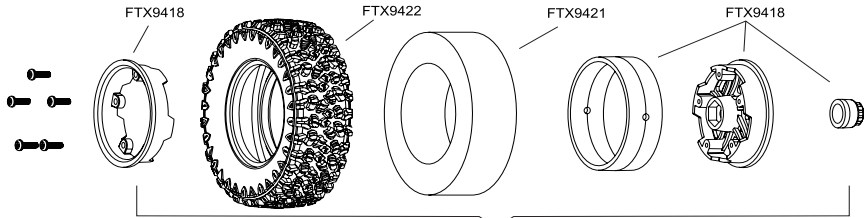
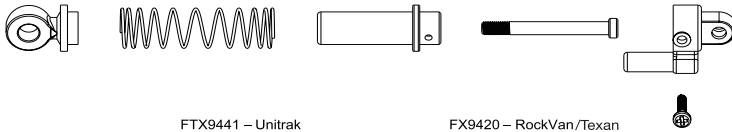
<p>Aluminium Upgrade Shock Set Part No: FTX9325</p> 	<p>Optional Aluminum Oil Filled Shock Set (4pcs) Part No: FTX9447</p> 	<p>Rear Portal Hub Brass Weight Part No: FTX9359R</p> 	<p>Front Portal Hub Brass Weight Part No: FTX9357F</p> 	<p>Optional Machine Brass Wheel Hex (4pcs) Part No: FTX9445</p> 
<p>1.2 Steellie BeadLock Wheel (Silver) Part No: FTX9449</p> 	<p>Optional Brass Wheel Weight (4pcs) Part No: FTX9446</p> 	<p>1.2 Steellie Bead Lock Wheel (Black) Part No: FTX9449BK</p> 	<p>Machine Aluminum Front Axle Part No: FTX9357F</p> 	<p>Machine Aluminum Rear Axle Part No: FTX9357R</p> 
<p>Steel LI-Joint Drive Shaft Set for XP Evo (2pcs) Part No: FTX9373</p> 	<p>Aluminium Hugh Clearance Links FTX9355</p> 	<p>Aluminium Servo Over Axles (SOA) Conversion Set FTX9356</p> 		



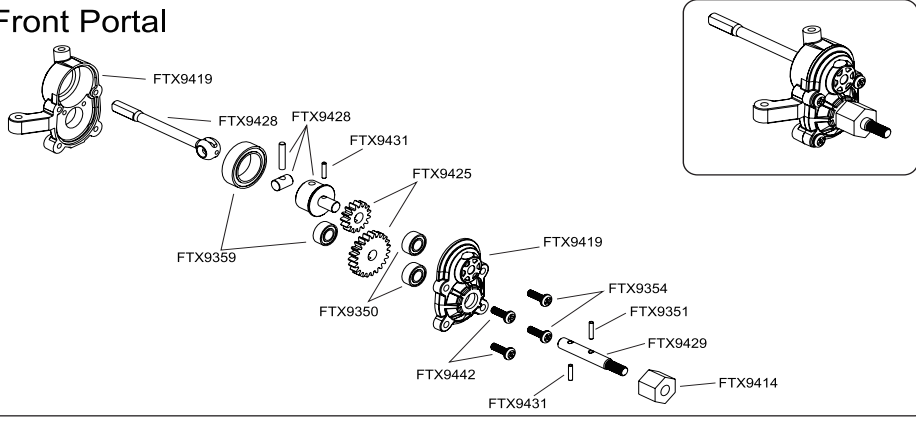
Reduction 2-Speed Gearbox



Shock Assembly

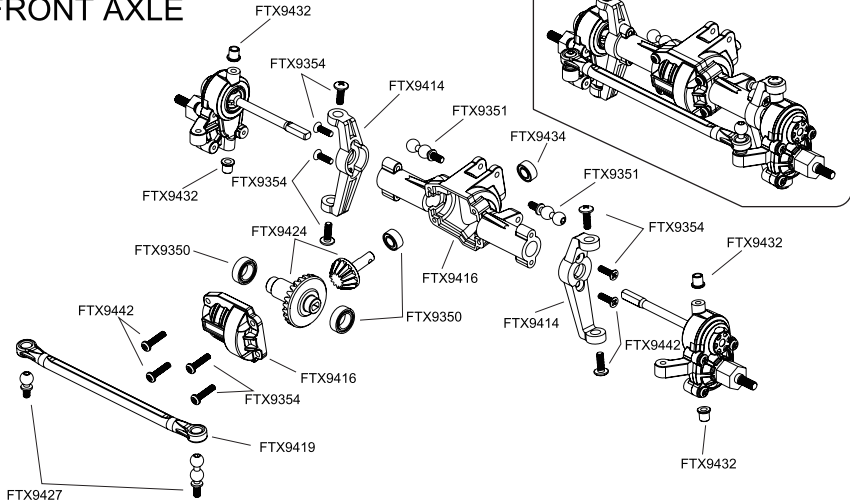


Front Portal

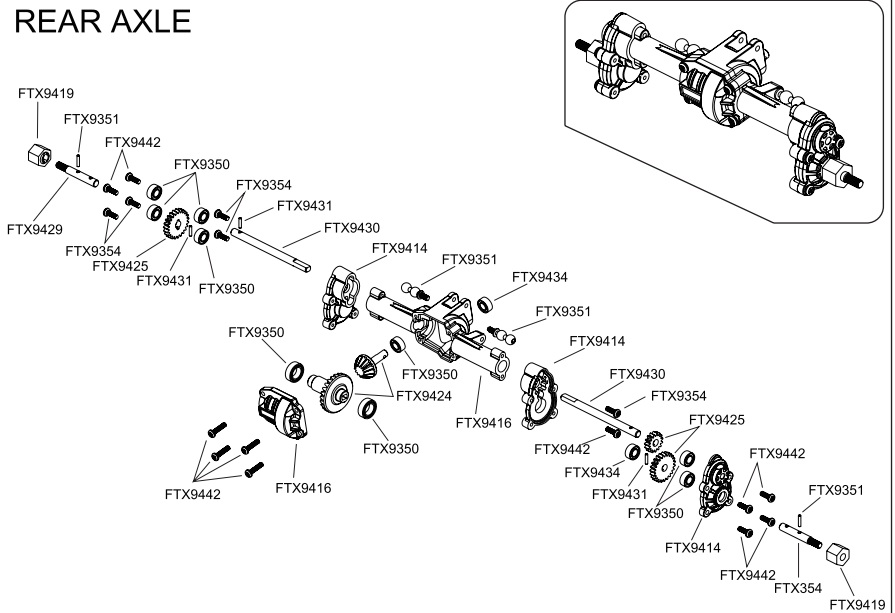




FRONT AXLE

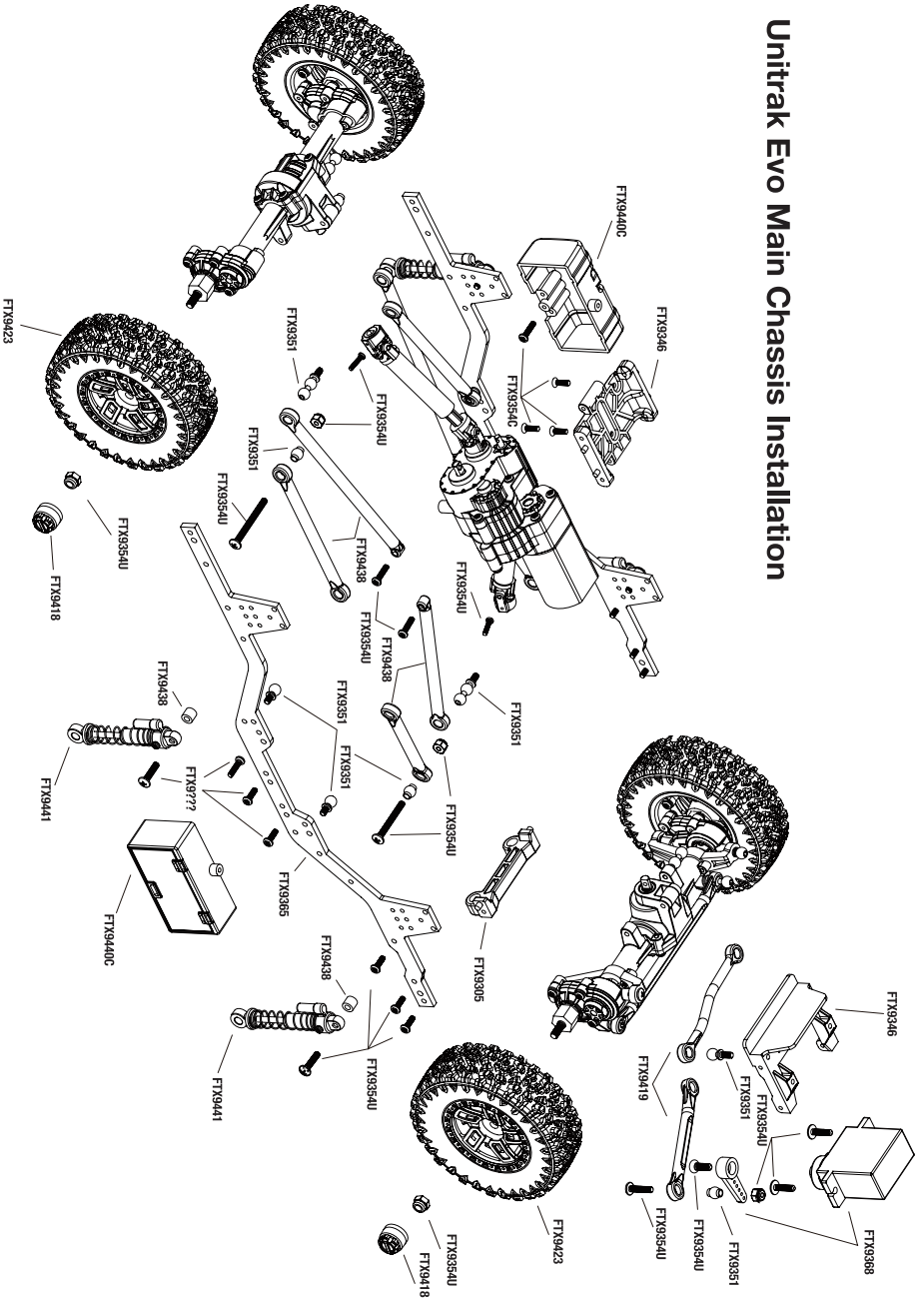


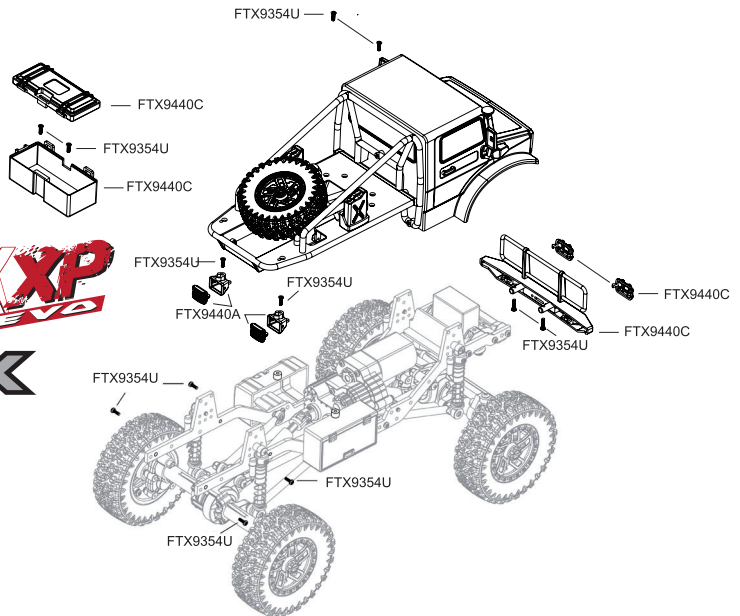
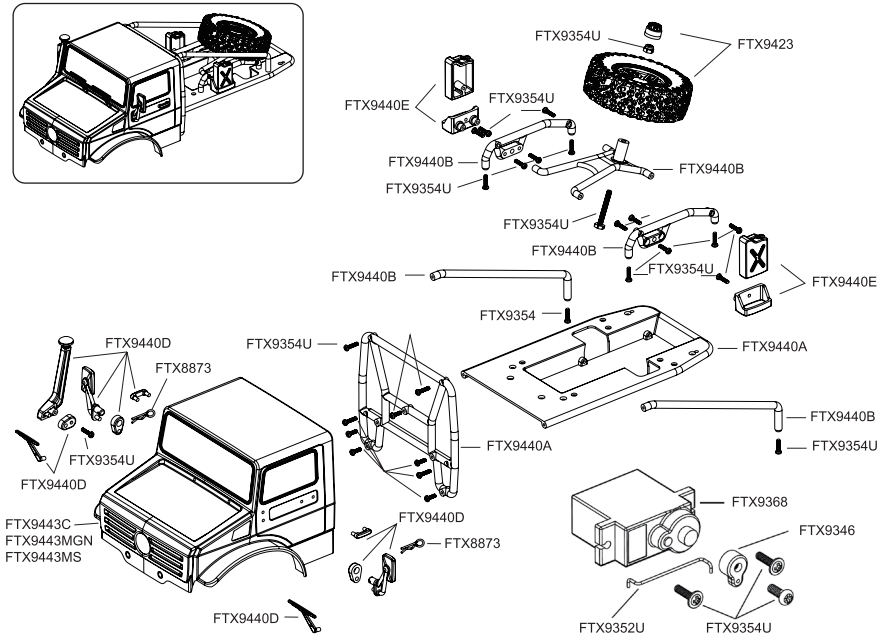
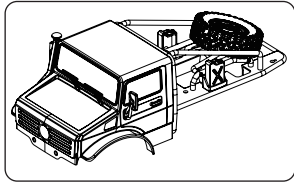
REAR AXLE





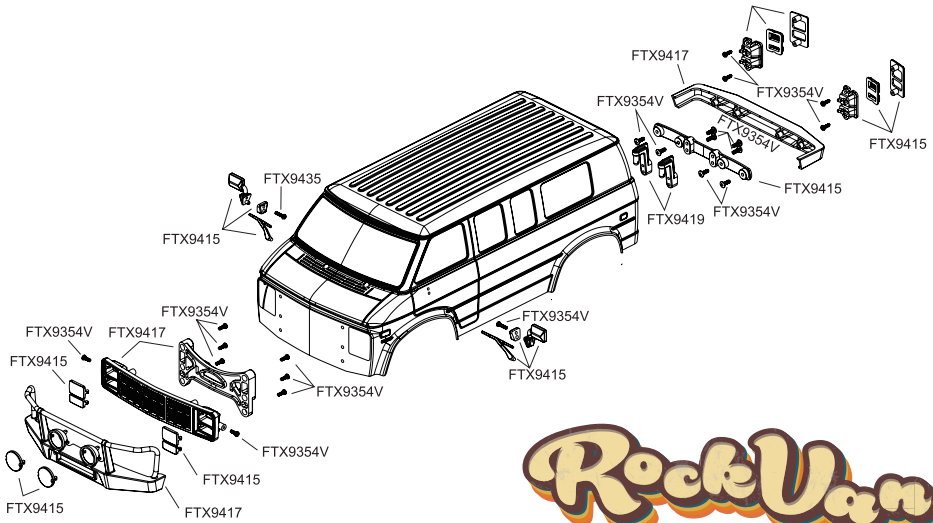
Unitrak Evo Main Chassis Installation



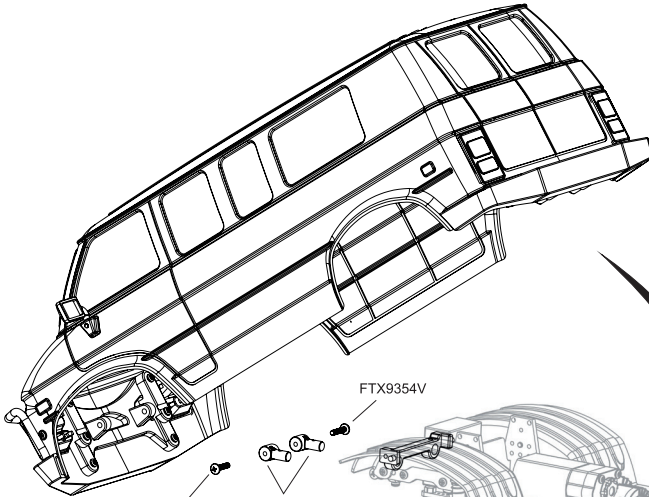


OUTBACK XP
 3000 3500 4000 4500
 6000

UNITRAK



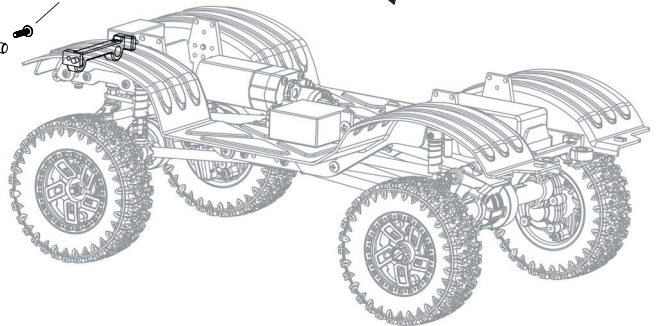
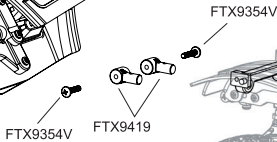
Rock Van



ROCK VAN CLEAR LEXAN BODY
FTX9437C

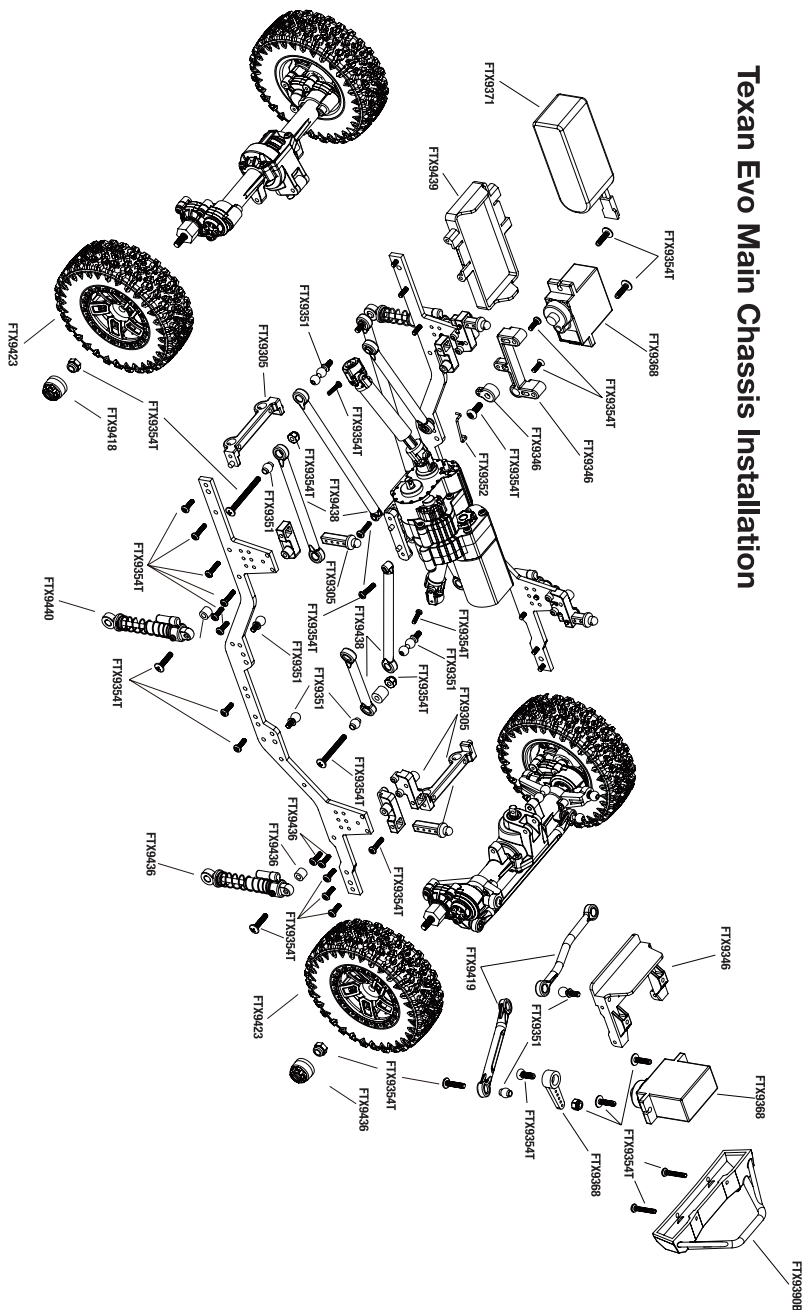
ROCK VAN FINISHED BODY GREY
FTX9437GY

ROCK VAN FINISHED BODY BEIGE
FTX9437BE



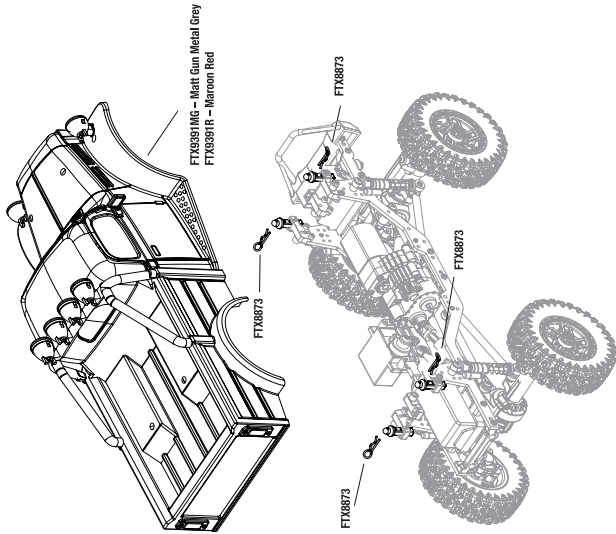
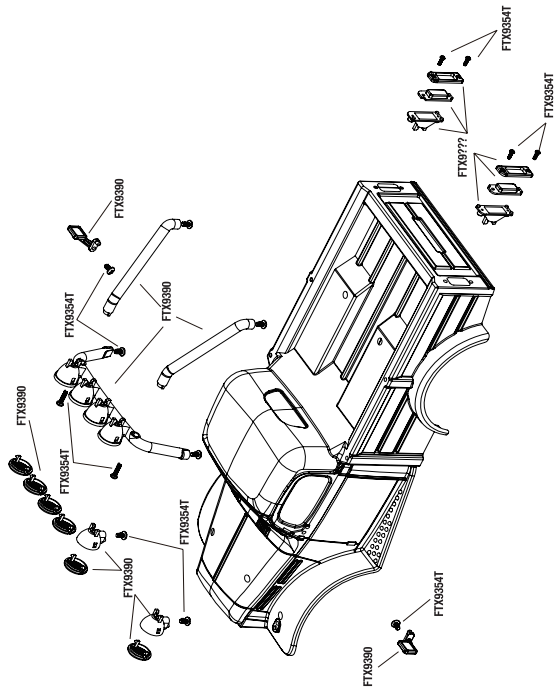
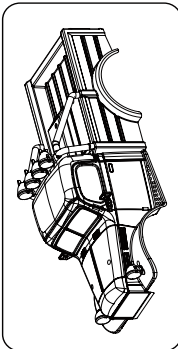


Texan Evo Main Chassis Installation





Texan Evo Main Chassis Installation





NOTES:

A series of horizontal dotted lines for taking notes.

OUTBACK XP MINI EVO



www.ftx-rc.com



FTX is an exclusive brand of CML Distribution, Saxon House, Saxon Business Park,
Hanbury Road, Bromsgrove, Worcestershire, B60 4AD England.
E-mail: info@ftx-rc.com